

Angled Thermostatic Radiator Valve

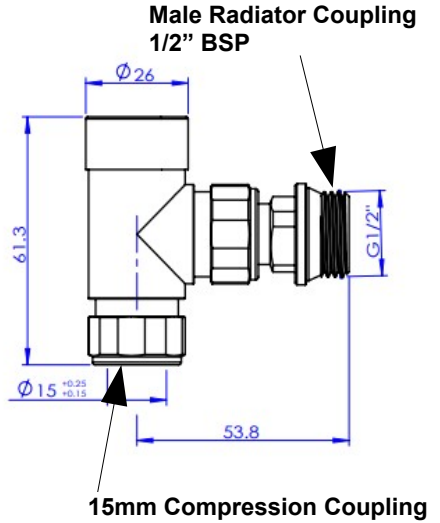
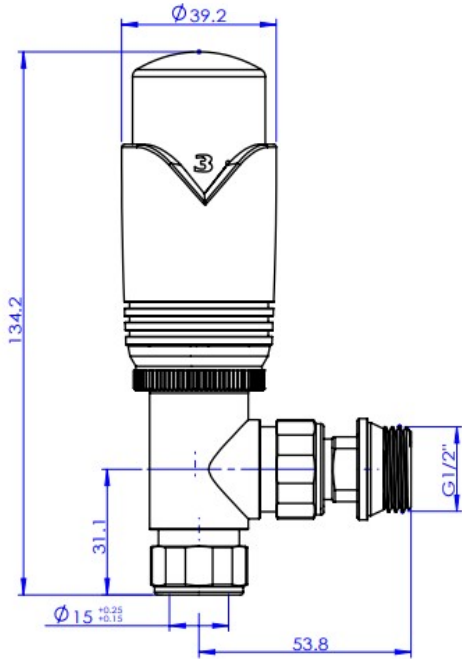
Technical Specifications

Maximum operating pressure 10 Bar

Maximum flow temperature 120°C

Maximum differential pressure 1bar

Temperature range 7°C - 32°C



Thermostatic Temperature Control

When the wheel head is wound clockwise to the * position, the valve will still operate if the room temperature falls below 7 degrees C, providing frost protection.

*	1	2	3	4	5	Max
7°C	12°C	16°C	20°C	24°C	28°C	32°C

Installation

Your radiator valves should only be installed by a competent and suitably qualified installer. Your warranty may be void if installation is not carried out by a suitably qualified heating engineer.

All plumbing joints should be sealed using appropriate tools, methods and materials. Never over-tighten any joint or coupling.

Ensure care is taken to protect the decorative finish on the valves during installation. We would recommend applying protection (for example, at least two layers of paper between the faces of the nuts and any spanner) to ensure the surfaces are not marked.

We *recommend* all TRVs are installed on the flow, rather than the return pipework of a radiator. When used in conjunction with a system automatic bypass valve, this thermostatic valve can be installed on either the flow or return in any orientation. System automatic bypass valves are a specific building regulation requirement for all new installations and boiler upgrades. All bi-directional TRVs from any manufacturer require the bypass valve to function correctly and thus avoid radiator hammer.